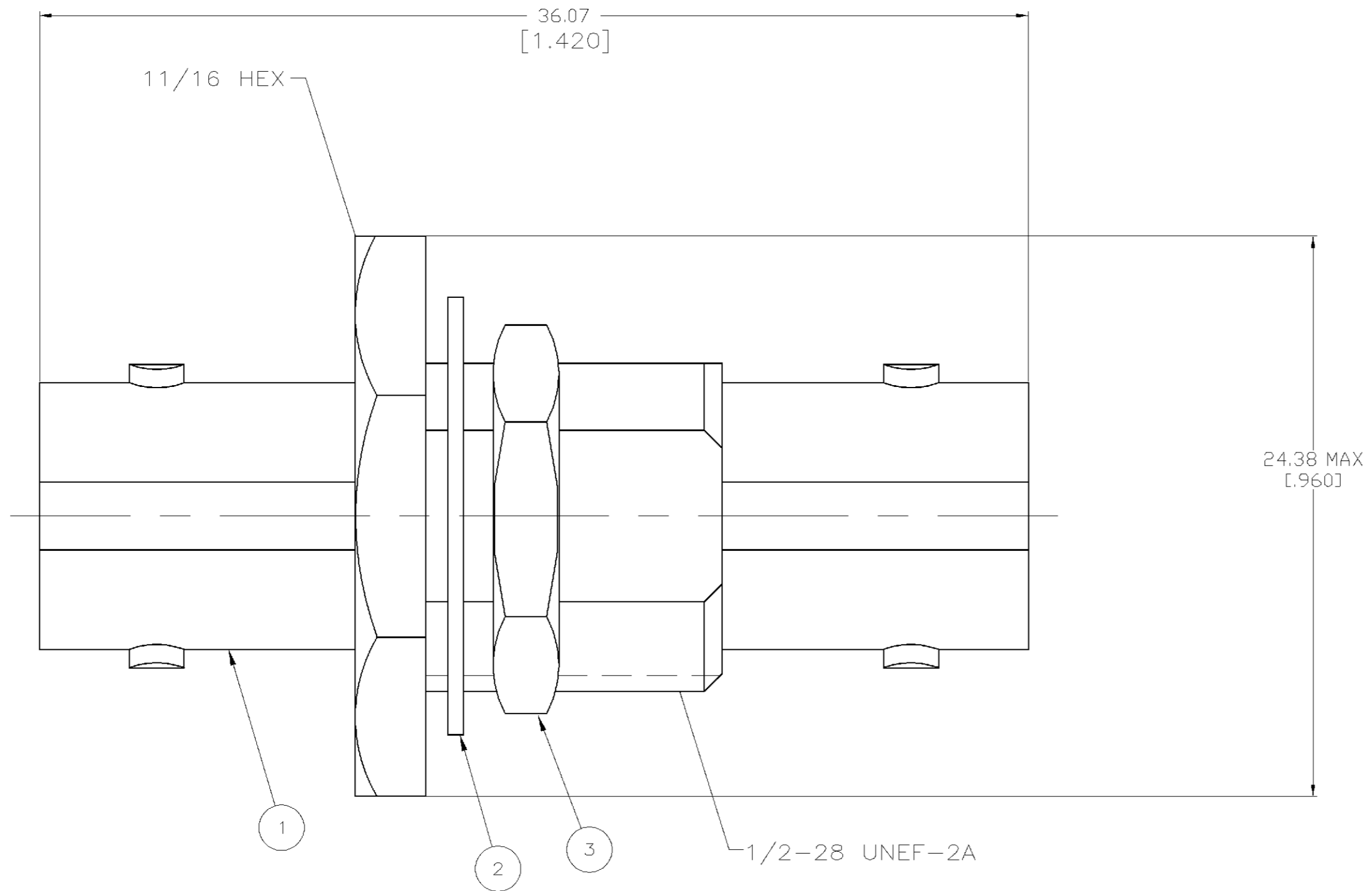
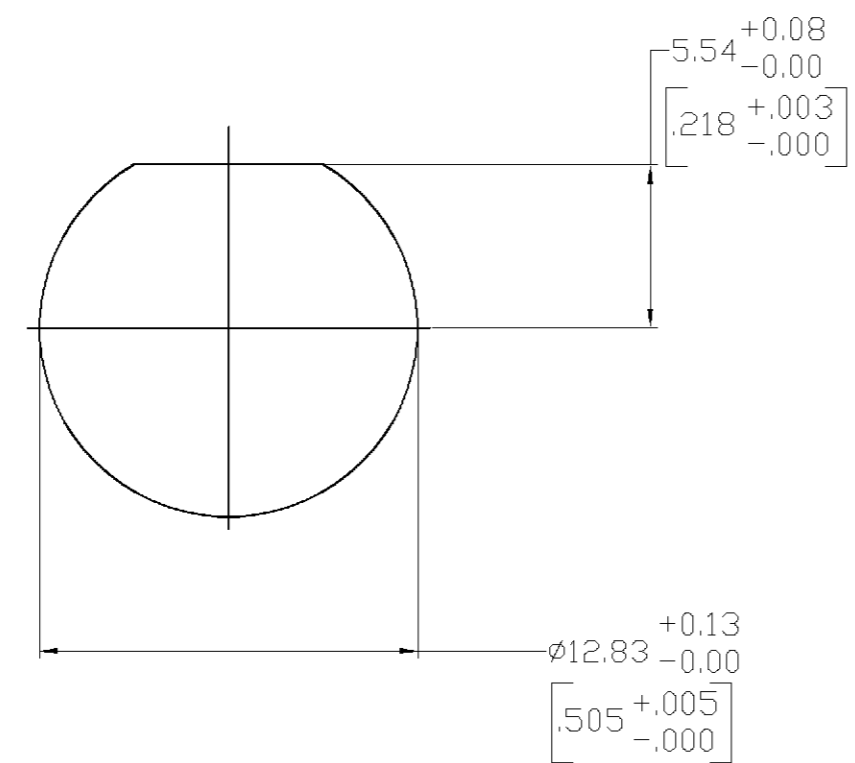


THIS DRAWING IS UNPUBLISHED. RELEASED FOR PUBLICATION
 © COPYRIGHT BY TYCO ELECTRONICS CORPORATION. ALL RIGHTS RESERVED.

LOC	DIST	REVISIONS			
P	LTR	DESCRIPTION	DATE	DWN	APVD
AJ	16	H	REV & RDRWN PER 0514-0044-01	25MAR02	SWB KW



- 1. PARTS PACKAGED UNASSEMBLED
- 2. PANEL THICKNESS = 6.35 [.250] MAX



RECOMMENDED PANEL CUTOUT
 SCALE 4:1

OBSOLETE	1-329631-2	1-329632-2	228255-1	228226-4
	1-329631-2	1-329632-2	228255-2	228226-3
SUPERSEDED BY 228226-1	1-329631-2	1-329632-2	228259-1	228226-2
	1-329631-2	1-329632-2	228255-1	228226-1
	3 JAM NUT QTY=1	2 LOCK WASHER QTY=1	1 JACK ADAPTOR ASSEMBLY QTY=1	PART NUMBER

THIS DRAWING IS A CONTROLLED DOCUMENT.		DWN M.E. COWHER 12JUN02	tyco Tyco Electronics Corporation MIDDLETOWN, PA 17057	
DIMENSIONS: MM		CHK M. PHILLIPS 22JUN02	NAME JACK - JACK ADAPTOR, BND, BNC	
TOLERANCES UNLESS OTHERWISE SPECIFIED: 0 PLC ± - 1 PLC ± - 2 PLC ± - 3 PLC ± - 4 PLC ± - ANGLES ± -		APVD M. PHILLIPS 22JUN02	PRODUCT SPEC -	
MATERIAL -		FINISH -	APPLICATION SPEC -	RESTRICTED TO -
		WEIGHT -	SIZE A2	CAGE CODE 00779
		DRAWING NO C=228226		SCALE 5:1
		CUSTOMER DRAWING		SHEET 1 OF 1

228226

A